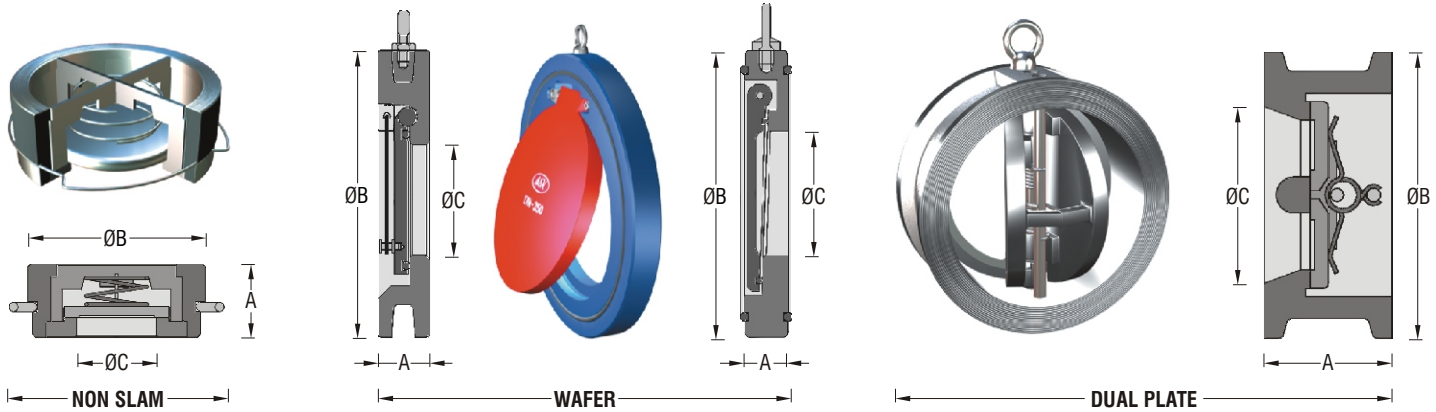


CHECK VALVES

NON SLAM, WAFER & DUAL PLATE



	NON SLAM	WAFER	DUAL PLATE
DESIGN STD	BDK STD	API 6D/BDK	API 594/API 6D
TESTING STD	API 598	API 6D/598	API 6D/598



TUV NORD

TUV NORD

Test Pressure in bar (psi)					
NONSLAM & DUAL PLATE				WAFER	
Pressure rating	Class 150	Class 300	PN10	PN40	
Hyd. Shell	30 (435)	77 (1117)	15 (217)	60 (870)	
Seat	22 (319)	57 (827)	11 (159)	44 (638)	

Dimensions are in mm (inch)

NON SLAM					WAFER				DUAL PLATE					
SIZE	A	B	C	Wt 1)	A	B Class 150	C	Wt 1)	A Class 150 / 300*	B Class		C	Wt 1) Class	
mm (inch)										150	300		150	300
15 (1/2)	17 (0.7)	38 (1.5)	14 (0.6)	0.17 (0.4)	-	-	-	-	-	-	-	-	-	-
20 (3/4)	20 (0.8)	47 (1.9)	19 (0.7)	0.23 (0.5)	-	-	-	-	-	-	-	-	-	-
25 (1)	23 (0.9)	54 (2.1)	24 (0.9)	0.30 (0.7)	-	-	-	-	-	-	-	-	-	-
32 (1 1/4)	28 (1.1)	67 (2.6)	32 (1.3)	0.60 (1.3)	-	-	-	-	-	-	-	-	-	-
40 (1 1/2)	32 (1.3)	76 (3.0)	38 (1.5)	0.70 (1.5)	-	-	-	-	-	-	-	-	-	-
50 (2)	40 (1.6)	96 (3.8)	48 (1.9)	1.2 (2.6)	19 (0.7)	104.5 (4.1)	30 (1.2)	1.5 (3.3)	60 (2.5)	103 (4.1)	110 (4.3)	50 (2.0)	4 (9)	5.5 (12)
65 (2 1/2)	46 (1.8)	109 (4.3)	63 (2.5)	1.8 (4.0)	19 (0.7)	124 (4.9)	38 (1.5)	2 (4.4)	67 (2.6)	123 (4.8)	129 (5.1)	65 (2.6)	6 (13)	7.5 (17)
80 (3)	50 (2.0)	131 (5.2)	76 (3.0)	2.6 (5.7)	19 (0.7)	136.5 (5.4)	52 (2.0)	2.5 (5.5)	73 (2.9)	136 (5.4)	147 (5.8)	80 (3.1)	7 (15)	9 (20)
100 (4)	60 (2.4)	162 (6.4)	98 (3.9)	4.6 (10)	19 (0.7)	174.5 (6.9)	72 (2.8)	3 (6.6)	73 (2.9)	173 (6.8)	179 (7.0)	100 (3.9)	10 (22)	14 (31)
125 (5)	90 (3.5)	194 (7.6)	125 (4.9)	11.5 (25)	22 (0.9)	197 (7.8)	90 (3.5)	4 (8.8)	-	-	-	-	-	-
150 (6)	106 (4.2)	224 (8.8)	150 (5.9)	16 (35)	22 (0.9)	222.5 (8.8)	115 (4.5)	6 (13)	98 (3.9)	220 (8.7)	249 (9.8)	150 (5.9)	13 (29)	18 (40)
200 (8)	140 (5.5)	291 (11.5)	200 (7.9)	31 (68)	29 (1.1)	279.5 (11.0)	158 (6.2)	14 (31)	127 (5.0)	278 (10.9)	305 (12.0)	200 (7.9)	26 (57)	33 (73)
250 (10)	200 (7.9)	329 (13.0)	250 (9.8)	30 (66)	38 (1.5)	340 (13.4)	196 (7.7)	19 (42)	146 (5.7)	337 (13.3)	360 (14.2)	250 (9.8)	48 (106)	61 (134)
300 (12)	250 (9.8)	384 (15.1)	300 (11.8)	50 (110)	51 (2.0)	409.5 (16.1)	242 (9.5)	27 (60)	181 (7.1)	407 (16.0)	420 (16.5)	300 (11.8)	78 (172)	96 (212)
350 (14)	-	-	-	-	45 (1.8)	448 (17.6)	270 (10.6)	41 (90)	184/222* (7.2/8.7)	448 (17.6)	483 (19.0)	350 (13.8)	92 (203)	124 (273)
400 (16)	-	-	-	-	51 (2.0)	511.5 (20.1)	310 (12.2)	56 (123)	191/232* (7.5/9.1)	512 (20.2)	538 (21.2)	400 (15.7)	120 (265)	152 (335)
450 (18)	-	-	-	-	60 (2.4)	546 (21.5)	360 (14.2)	78 (172)	203/264* (7.8/10.4)	548 (21.6)	596 (23.5)	450 (17.7)	132 (291)	162 (357)
500 (20)	-	-	-	-	64 (2.5)	603 (23.7)	405 (15.9)	101 (223)	219/292* (8.6/11.5)	604 (23.8)	652 (25.7)	500 (19.7)	158 (348)	186 (410)
600 (24)	-	-	-	-	76 (3.0)	714.5 (28.1)	460 (18.1)	180 (397)	222/318* (8.7/12.5)	715 (28.1)	773 (30.4)	600 (23.6)	182 (401)	220 (485)
700 (28)	-	-	-	-	89 (3.5)	828.5 (32.6)	510 (20.1)	240 (529)	-	-	-	-	-	-
800 (32)	-	-	-	-	102 (4.0)	937 (36.9)	610 (24.0)	310 (683)	-	-	-	-	-	-
900 (36)	-	-	-	-	127 (5.0)	1045 (41.1)	700 (27.6)	445 (981)	-	-	-	-	-	-
1000 (40)	-	-	-	-	146 (5.7)	1159 (45.6)	770 (30.3)	640 (1411)	-	-	-	-	-	-
1200 (48)	-	-	-	-	172 (6.8)	1381 (54.4)	965 (38.0)	1075 (2370)	-	-	-	-	-	-
1400 (56)	-	-	-	-	203 (8.0)	1603 (63.1)	1100 (43.3)	1700 (3748)	-	-	-	-	-	-
1600 (64)	-	-	-	-	229 (9.0)	1724 (67.9)	1250 (49.2)	2650 (5842)	-	-	-	-	-	-

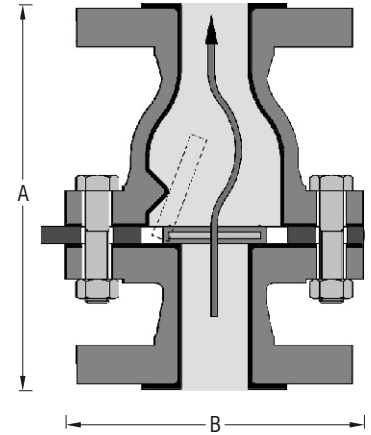
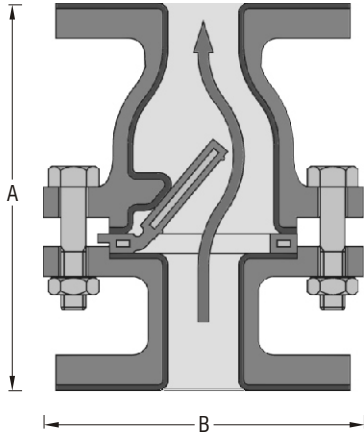
Materials

Body	Carbon Steel ASTM A216 Gr. WCB / Stainless Steel A351 Gr. CF8 / CF8M / Ductile Iron ASTM A395 / S.G. Iron EN 1563 No. EN-JS1024
Disc & Cover	Stainless Steel ASTM A276 Type 410 / 304 / 316 / ASTM A217 Gr. CA15 / Carbon Steel ASTM A216 Gr. WCB / Stainless Steel ASTM A351 Gr. CF8 / CF8M / Ductile Iron ASTM A395 / S.G. Iron EN1563 No. EN-JS1024
Guide plate & Spring	Stainless Steel ASTM A240 Type 316 / ASTM A312 Type 316
O-ring (For Wafer Check only)	EPDM (Other grades available on request)
Hinge pin	Stainless Steel ASTM A276 Type 410 / 304 / 316
Surface Protection for Ductile Iron And Cast Steel Valves	Prime Cote : Chlorine free with modified alkyd resin unobjectionable in physiological & toxicological respects. Additional external coating : Enamel

1) Net in Kg. (lbs) approx. (without obligation) ● Valves can be supplied to suit ASME / BS / DIN Flanges. ■ Ductile Iron only for Wafer check Valves. ■ Cover & Guide plate applicable for Non Slam only. ■ Spring applicable for Wafer Check Valves from Sizes 50mm (2") to 300mm (12") & Non Slam only. ■ Dual plate Valves can be supplied with soft seating arrangement on request. ■ Please Specify Working Pressure, Temperature & Service conditions. ■ 3cc/min/inch Leakage rate for Dual plate & Non slam Valves as per API 598. ■ Other materials not mentioned above available on request.

CHECK VALVES

SERIES 'B' & 'BX'



SERIES - B
SIZES 25mm (1") TO 300mm (12")

SERIES - BX
SIZES 25mm (1") TO 150mm (6")

DESIGN STD & TESTING STD : BDK STD.

Test Pressure in bar (psi)		PN7
Pressure rating		
Hyd. Shell	11 (159)	
Seat	7 (101)	

Dimensions are in mm (inch)

SIZE	SERIES - B				SERIES - BX			
	A		B	Wt 1)	A		B	Wt 1)
	Unlined	Rubber Lined			Unlined	Rubber Lined		
25 (1)	144 (5.7)	150 (5.9)	124 (4.9)	4.0 (8.8)	150 (5.9)	157 (6.2)	126 (5.0)	5.5 (12)
40 (1 1/2)	174 (6.9)	180 (7.1)	144 (5.7)	7.0 (15)	180 (7.1)	186 (7.3)	149 (5.9)	9.5 (21)
50 (2)	194 (7.6)	200 (7.9)	166 (6.5)	8.5 (19)	200 (7.9)	206 (8.1)	163 (6.4)	11.0 (24)
65 (2 1/2)	234 (9.2)	240 (9.4)	220 (8.7)	14 (31)	240 (9.4)	244 (9.6)	185 (7.3)	17.5 (39)
80 (3)	254 (10.0)	260 (10.2)	220 (8.7)	20 (44)	260 (10.2)	266 (10.5)	218 (8.6)	21.5 (47)
100 (4)	292 (11.5)	300 (11.8)	270 (10.6)	34 (75)	350 (13.8)	358 (14.1)	295 (11.6)	37.5 (83)
150 (6)	392 (15.4)	400 (15.7)	322 (12.7)	56 (123)	400 (15.7)	406 (16.0)	325 (12.8)	64.5 (142)
200 (8)	492 (19.4)	500 (19.7)	396 (15.6)	103 (227)	-	-	-	-
250 (10)	590 (23.2)	600 (23.6)	500 (19.7)	190 (419)	-	-	-	-
300 (12)	690 (27.2)	700 (27.6)	554 (21.8)	310 (683)	-	-	-	-

Materials

Body / End piece	Cast Iron ASTM A126 Class C / EN1561 No. EN-JL1040 / ASTM A216 Gr. WCB
Disc	Steel plate duly rubber lined. (Grade according to working condition)
Connecting bolts / nuts	Steel ASTM A307 Gr. A / ASTM A563 Gr. A
Surface Protection for Valves	Prime Coat : Chlorine free with modified alkyd resin unobjectionable in physiological and toxicological respects. Additional external coating : Stoving enamel

1) Net in Kg. (lbs) approx. (without obligation) 2) Face to Face dimension 'A' for R/L Valves DIN 3202 F6 for Series - B only & others as manufacturer standard. ■ Valves can be supplied to suit ASME / BS / DIN Flanges. ■ Please Specify Working Pressure, Temperature & Service conditions. ■ Other materials not mentioned above available on request.



Work with the Experts



TUV NORD



TUV NORD

B. D. K. Engineering Industries Limited

Gokul Road, Hubli - 580 030, India., Tel.: +91-836-2330699 (Int'l), 2331499, 2333930 (National), Fax: +91-836-2330799, 2330899.
e-mail: bdkei@bdkindia.com (Int'l), bdkho@bdkindia.com (National), Website: www.bdkindia.com

BRANCHES

Mumbai • New Delhi • Kolkata • Chennai • Hyderabad • Baroda • Bangalore
• Pune • Vizag • Lucknow • Indore • Bhubaneshwar • Sharjah