

B.D.K. ENGINEERING INDUSTRIES LIMITED

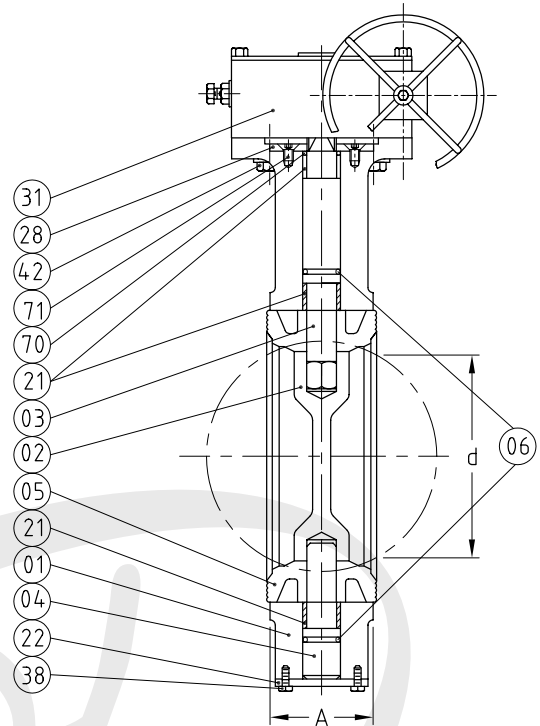
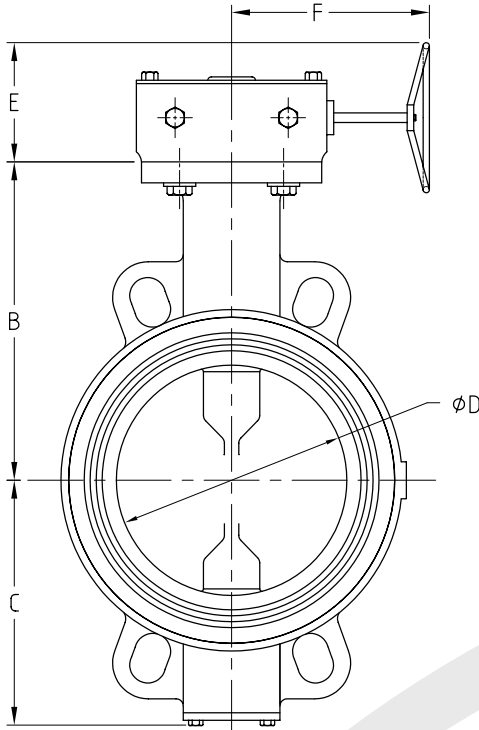


BUTTERFLY VALVE, MODEL - 12

DATE : 13 APR 2005

DRG.NO : 120015

01
REV.NO.
PN-16



ALL DIMENSIONS ARE IN mm.

SIZE	50	65	80	100	125	150
A	43	46	46	52	56	56
B	115	117	135	153	172	185
C	75	85	90	118	135	148
φD	52	63	78	103	129	154
d	33.5	47	66	91.5	118	146
E	155	155	155	155	155	155
F	212	212	212	212	212	212
Wt-kg	9.0	9.5	10	11	12	13
QTY						
TAG NO						

PT.NO.	PART NAME	QTY	MATERIAL
01	BODY	01	CI/DI/WCB
02	DISC	01	DI/CA15/CF8/CF8M *
03	STEM-UPPER	01	410/304/316
04	STEM-LOWER	01	410/304/316
05	SEAT	01	ELASTOMER 7) 8)
06	O - RING	02	NITRILE
21	STEM BEARING	03	DELFIN
22	BOTTOM CAP	01	410
28	RETAINER PLATE	01	410
31	GEAR UNIT	01	CI HOUSING
38	HEX. SCREW	02	STEEL Gr. 8.8
42	HEX. SCREW/SP.WASHER	04SET	STEEL Gr. 8.8
70	WEATHER SEAL	02	NITRILE
71	CSK SCREW WITH HEX. SOCKET	02	304/316

* DI/WCB FOR LINED DISC ⁹⁾

NOTES:

- LAYING LENGTH 'A' CONFORMS TO EN558-1 SERIES 20 (BS:5155-1984) AND ISO: 5752, AND MSS SP-67 W-1(1983). OTHER DIMENSIONS AND WEIGHTS ARE INDICATIVE.
- ALL BODIES & DI DISC DULY PU / STOVING ENAMEL COATED AS STD.
- VALVES ARE SUITABLE TO SANDWICH BETWEEN ASME B16.5 . CL-150, ASME B16.1 CL-125, EN1092 PN10 & PN16, IS: 6392 PN10 & PN16 , BS:10 TABLE 'D' & 'E' FLANGES.
- FOR RUBBER LINED DISC, VALVE PRESSURE RATING - PN10.
- GUIDE HOLES ARE NOT REQUIRED FOR SIZES 50,65 & 80 HENCE NOT PROVIDED.
- INTERNAL DIAMETER OF PIPE SHOULD BE AT LEAST 3 mm MORE THAN 'd'.
- NATURAL, NEOPRENE, NITRILE, EPDM, HYPLON, BUTYL, SILICON, VITON.
- FOR SILICON & VITON SEAT AND VITON LINED DISC, VALVE PRESSURE RATING PN 6.
- DISC LINING MATERIALS : EBONITE, NITRILE, NEOPRENE, HYPLON, EPDM, BUTYL & VITON.

CODE	CI	DI	WCB	CA15	CF8	CF8M	410	304	316
MATERIAL SPECN	IS:210 FG220	A536 60-40-18	A216 WCB	A217 CA15	A351 CF8	A351 CF8M	A276 410	A276 304	A276 316

CUSTOMER _____
ORDER NO. _____
JOB/PROJECT _____

DESIGN STD: EN593 (BS:5155)
TESTING STD: EN12266-1
(BS:6755 PART-1)

HYDRO-TEST PRESSURE ,bar		
RATING	SHELL	SEAT
PN16	24	17.6
PN10 ⁴⁾	15	11
PN6 ⁸⁾	9	6.6

MANUFACTURED BY : M/s B.D.K. ENGINEERING INDUSTRIES LIMITED, HUBLI - 580 030 , INDIA

APPROVED :

CHECKED :

DRAWN :

FOR APPROVAL FOR RECORD