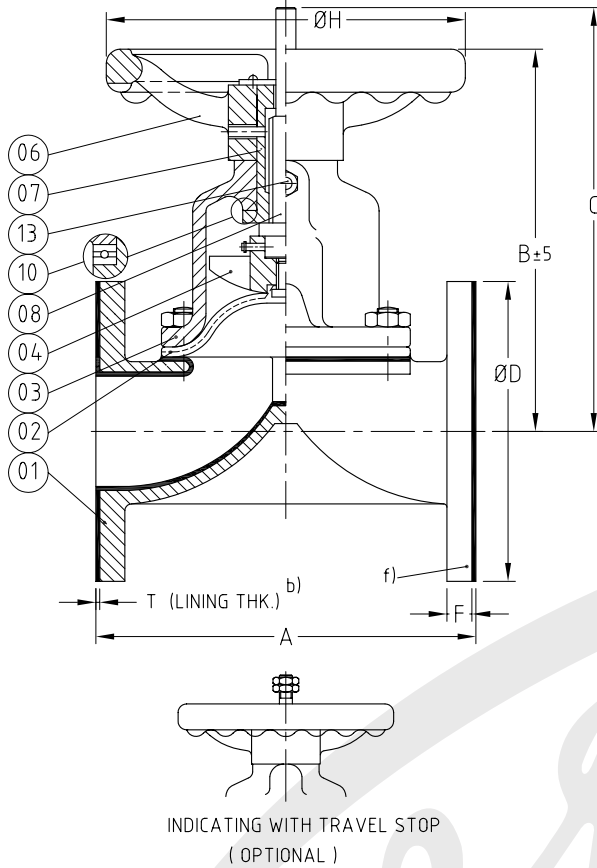


RUBBER LINED (PTFE DIAPHRAGM)



PT.NO.	PART NAME	MATERIAL
01	BODY	CI/ DI / WCB
02	DIAPHRAGM a)	PTFE WITH _____ PAD
03	BONNET	CI
04	COMPRESSOR	CI
06	HANDWHEEL	CI
07	STEM BUSHING	S.G.IRON
08	STEM	410
10	THRUST BEARING c)	STEEL
13	LUBRICATION FITTING d)	BRASS

- a) RUBBER PAD HARDNESS : _____ SHORE 'A'.
- b) LINING HARDNESS : _____ SHORE 'A'
- c) FOR SIZES 80 AND HIGHER.
- d) APPLICABLE FOR SIZES 125 & HIGHER
- f) FLANGE DRILLING :

NOTE :

- 1) ONLY DIMENSION 'A' CONFORMS TO EN 558- 1, SERIES 7. OTHER DIMENSIONS ARE ONLY INDICATIVE. WEIGHT INDICATED IS APPROXIMATE.

DESIGN STD : EN 13397 / BS 5156
 TESTING STD : EN 12266 - 1 / BS 6755 - 1
 ALL DIMENSIONS ARE IN mm.

SIZE	15	20	25	32	40	50	65	80	100	125	150	200	250	
A	114	123	133	152	165	196	222	260	313	364	414	529	645	
B	92	100	114	115	153	160	180	233	256	306	368	479	585	
C	90	102	118	121	164	179	206	260	296	362	431	584	699	
T	3						4				5			
ØD	95	105	115	140	150	165	185	200	230	254	285	343	406	
ØH	70		100		140		180	225		310	368	471	587	
F	CI/ DI	12.0	12.0	12.0	12.0	15.0	17.5	18.0	19.0	23.8	23.8	25.4	22.0	24.0
	STEEL	9.7	10.5	11.2	13.0	14.2	15.8	17.5	19.0	20.0	22.0	22.0	20.0	22.0
WEIGHT kg	2.5	2.6	3.5	4.5	7	10	15	22	37	62	91	163	240	
OPT.PR. bar	10.00						5.00							
QTY														
TEST PRESSURE , bar														
HYD	SHELL	15.00						7.50						
	SEAT	10.00						5.00						
AIR SEAT	5.00													
TAG NO														
CODE	CI	DI	WCB	S.G.IRON	410									
MATERIAL	IS: 210	A395	A 216	IS: 1865	A 276									
SPECN	FG 260	60-40-18	WCB	500/7	410									

CUSTOMER : _____
 ORDER NO. : _____
 JOB/PROJECT : _____

MANUFACTURED BY : M/s B.D.K.ENGINEERING INDUSTRIES LIMITED, HUBLI - 580 030, INDIA

APPROVED :

CHECKED :

DRAWN :

FOR RECORD

FOR APPROVAL