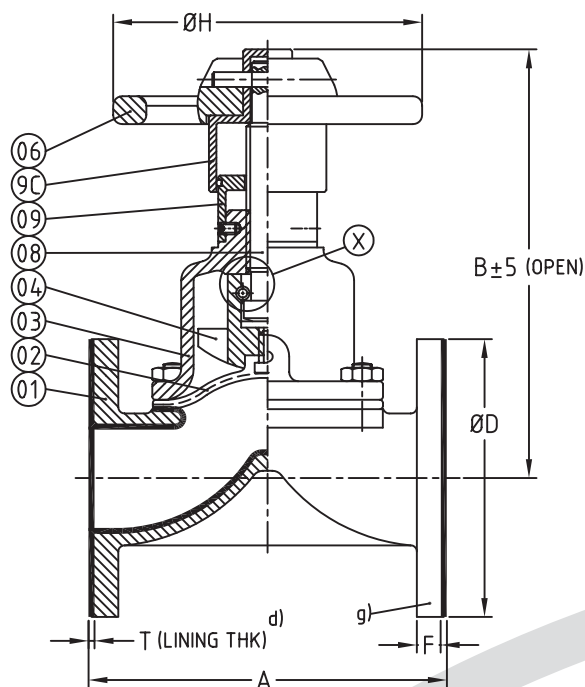




RUBBER LINED

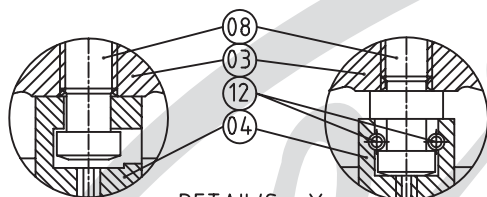


PT.NO.	PART NAME	MATERIAL
01	BODY	CI / DI / S G IRON
02	DIAPHRAGM c)	
03	BONNET	CI
04	COMPRESSOR	CI
06	HANDWHEEL	CI
08	STEM	410
09	INDICATOR	CI
9C	INDICATOR CAP	CI
12	SPRING DOWEL SLEEVE 2)	SPRING STEEL

- c) DIAPHRAGM HARDNESS : _____ SHORE ' A'.
- d) LINING HARDNESS : _____ SHORE ' A'.
- g) FLANGE DRILLING : _____

NOTE :

- 1) ONLY DIMENSION 'A' CONFORMS EN 558 - 1, SERIES 7 & SERIES 1 (SERIES 7 - BS & SERIES 1 - DIN) OTHER DIMENSIONS ARE ONLY INDICATIVE. WEIGHT INDICATED IS APPROXIMATE.
- 2) APPLICABLE FOR SIZES 80 TO 200 mm.



DETAIL'S - X

FOR SIZES 15 TO 65 FOR SIZE 80 TO 200

ALL DIMENSIONS ARE IN mm. DESIGN STD : EN 13397 / BS:5156 TESTING STD : pr EN 12266 - 3 / BS : 6755-1

SIZE	15	20	25	32	40	50	65	80	100	125	150	200	
A	SERIES 7	114	123	133	152	165	196	222	260	313	364	414	529
	SERIES 1	130	150	160	180	200	230	290	310	350	400	480	600
B (OPEN)	105	115	132	140	180	210	235	305	340	420	490	645	
T	3						4						
Ø D	95	105	115	140	150	165	185	200	230	254	285	343	
F	SERIES 7	12	12	12	15	15	17.5	18	19	23.8	23.8	25.4	22
	SERIES 1	14	16	16	18	18	20	20	22	24	26	26	22
Ø H	80		120			180			250		315	360	470
WEIGHT kgs	SERIES 7	2.6	2.8	3.5	4.8	6.5	10.5	15	22	36	61	89	165
	SERIES 1	2.8	3.1	3.8	5.7	7.3	16	19	26	41	67	103	187
OPT.PR. - bar	16.00						10.50			10.00		7.00	
QTY.													

TEST PRESSURE , bar							
HYD.	SHELL	24.00			15.75	15.00	10.50
	SEAT	17.60			11.50	11.00	7.70
AIR SEAT	5.00						
TAG NO.							
CODE	CI	DI	410	S G IRON			
MATERIAL	EN 1561	A395	A276	EN 1563			
SPEC.	EN-JL1040	60-40-18	410	EN-JS1024			

CUSTOMER _____
 P. ORDER NO. _____
 JOB/PROJECT _____

APPROVED :

 CHECKED :

 DRAWN :

FOR APPROVAL FOR RECORD