

B.D.K. ENGINEERING INDUSTRIES LIMITED



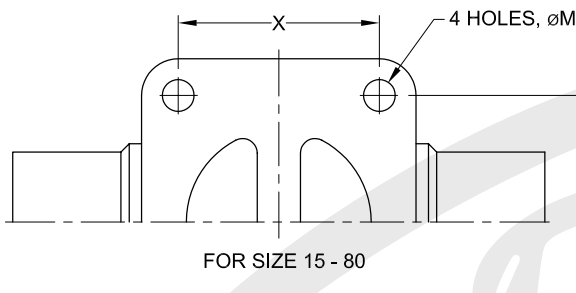
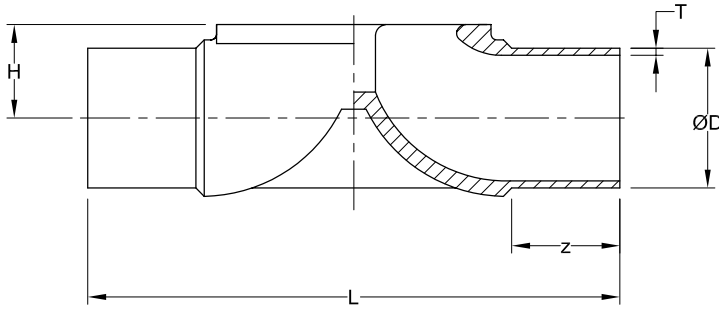
DIAPHRAGM VALVE SERIES - 'S2K' BODY

DATE : 29 MAY 2003

DRG.NO : DS0079

00
REV.NO.

BUTTWELD ENDS - DIN STD / DIN 11850



ALL DIMENSIONS ARE IN mm.

SIZE	15	20	25	40	50	65	80
L _{±10}	110	119	129	161	192	218	256
H	11.5	14.5	18.0	25.5	32.5	45.0	49.0
X	33.0	40.0	46.0	65.0	78.0	95	114
Y	37.0	44.0	54.0	70.0	83.0	102	127
Z	25	25	25	25	30	33	36
ØM	7.0	7.0	9.0	12.0	12.0	14	18
WEIGHT- kg	0.30	0.32	0.65	1.13	1.95	2.80	3.50
QTY							

NOTE :

- 1) DIMENSIONS ARE INDICATIVE. WEIGHT INDICATED IS APPROXIMATE.
- 2) BODY IN INVESTMENT CASTING.

ØD x T

SIZE	15	20	25	32	40	50	65	80
DIN STD	18 x 1.5	22 x 1.5	28 x 1.5	34 x 1.5	40 x 1.5	52 x 1.5	-	-
DIN 11850	Series 1	18 x 1.0	22 x 1.0	28 x 1.5	34 x 1.0	40 x 1.0	52 x 1.0	70 x 2.0
	Series 2	19 x 1.5	23 x 1.5	29 x 1.5	35 x 1.5	41 x 1.5	53 x 1.5	-
	Series 3	20 x 2.0	24 x 2.0	30 x 2.0	36 x 2.0	42 x 2.0	54 x 2.0	-

APPROVED :

CHECKED :

DRAWN :

FOR APPROVAL FOR RECORD

CUSTOMER _____
 ORDER NO. _____
 JOB/PROJECT _____

MANUFACTURED BY : M/s B.D.K. ENGINEERING INDUSTRIES LIMITED, HUBLI - 580 030 , INDIA