



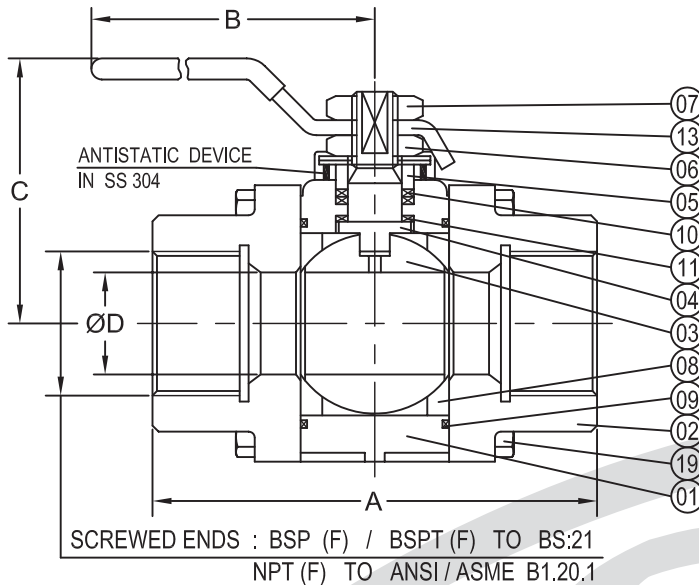
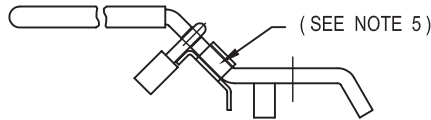
**BALL VALVE - SERIES 'W'**

DATE : 12. SEPT. 2008

DRG. NO : BV 3102

06  
REV. NO.

**3 - PIECE, FULL BORE - FIRE SAFE**

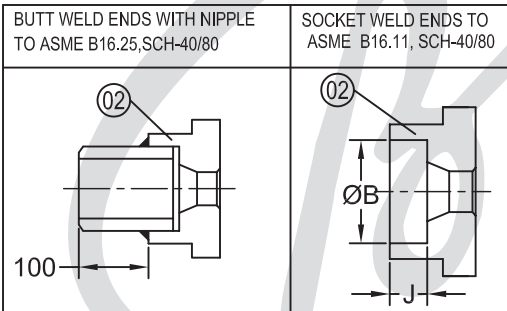


PT. NO.	PART NAME	MATERIAL				
		A105	F304	F316	CF8	CF8M
01	BODY	A105	F304	F316	CF8	CF8M
02	END PIECE	A105	F304	F316	CF8	CF8M
03	BALL	410	304	316	304	316
04	STEM	410	304	316	304	316
05	GLAND	410	304	316	304	316
06	GLAND NUT	304				
07	LEVER NUT	304				
08	SEAT	PTFE / CFT / GFT				
09	BODY SEAL	GRAFOIL				
10	STEM SEAL	GRAFOIL				
11	STEM WASHER	25% GFT				
13	LEVER	STEEL WITH PVC SLEEVE				
19	HEX. SCREW	304				

**NOTE :**

1. ONLY DIMENSION 'A' IS CERTIFIED & CONFORMS TO MANUFACTURER'S STD, OTHER DIMENSIONS & WEIGHTS ARE INDICATIVE.
2. BUTT WELD ENDS WITH NIPPLE AVAILABLE FOR UP TO CL. 600 ONLY.
3. MATERIAL CF8 & CF8M NOT APPLICABLE FOR CLASS 800.
4. FIRE SAFE TESTED AS PER API : 607 5th EDITION.
5. PAD LOCK ARRANGEMENT OPTIONAL, AND LOCK IS NOT IN SCOPE OF OUR SUPPLY.

SCREWED ENDS : BSP (F) / BSPT (F) TO BS:21  
NPT (F) TO ANSI/ASME B1.20.1



DESIGN STD. : BS EN ISO 17292 ( BS 5351 ) / TESTING STD. : EN 12266 -1 ( BS 6755 -1 )  
ALL DIMENSIONS ARE IN mm.

CLASS	600 / 800								
	SIZE	A	B	C	ØD	ØB	J	WT. kgs.	QTY.
08	64	120	80	08	14.1	12	0.7		
10	64	120	80	11	17.5	12	0.7		
15	64	120	80	13	21.7	12	0.8		
20	75	145	85	20	27.1	15	1.5		
25	88	145	90	25	33.8	15	2.0		
32	105	175	105	32	42.5	15	3.1		
40	114	175	110	38	48.6	15	4.7		

CODE	A105	F304	F316	CF8	CF8M	410	304	316
<b>MATERIAL</b>	ASTM	A182	A182	A351	A351	A276	A276	A276
<b>SPECN.</b>	A105	F304	F316	CF8	CF8M	410	304	316

TEST PRESSURES, bar			
CLASS	600		800
	HYD.	SHELL	150
SEAT		PTFE - 69 CFT / GFT - 76	
AIR	SEAT	6.9	

CUSTOMER : \_\_\_\_\_  
ORDER NO. : \_\_\_\_\_  
JOB/PROJECT : \_\_\_\_\_

**MANUFACTURED BY : M/s B.D.K. ENGINEERING INDUSTRIES LIMITED, HUBLI - 580 030 , INDIA**

APPROVED :

CHECKED :

DRAWN :

FOR APPROVAL  FOR RECORD