



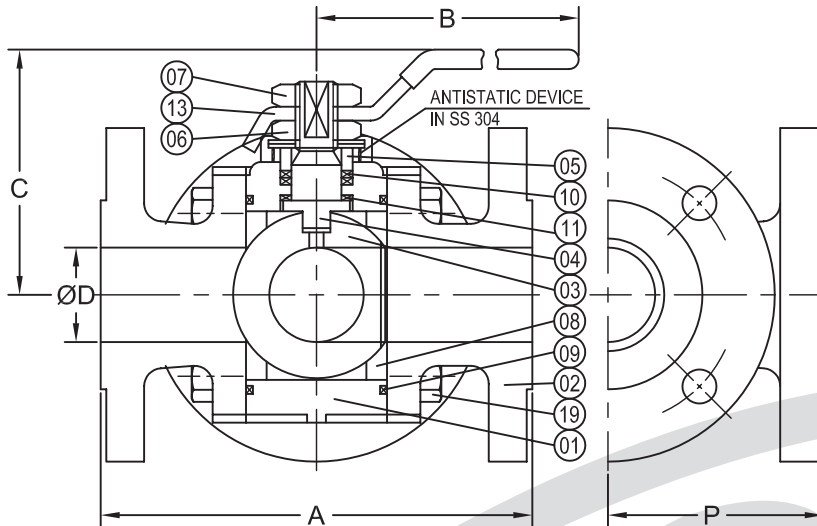
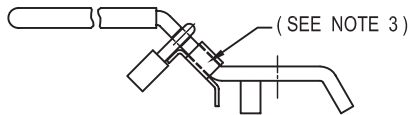
BALL VALVE - SERIES 'W' - 3 WAY 'L' / 'T' SIDE PORT

DATE : 12. SEPT. 2008

DRG. NO : BV 5102

04
REV. NO.

3 - PIECE, FULL BORE



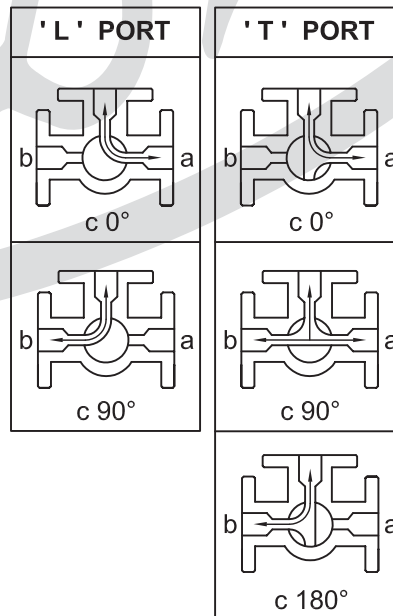
PT. NO.	PART NAME	MATERIAL		
		WCB	CF8	CF8M
01	BODY	WCB	CF8	CF8M
02	END PIECE	WCB	CF8	CF8M
03	BALL	410	304	316
04	STEM	410	304	316
05	GLAND	410	304	316
06	GLAND NUT	304		
07	LEVER NUT	304		
08	SEAT	PTFE / CFT / GFT		
09	BODY SEAL	GRAFOIL		
10	STEM SEAL	GRAFOIL		
11	STEM WASHER	25% GFT		
13	LEVER	STEEL WITH PVC SLEEVE		
19	HEX. SCREW	304		

NOTE :

1. ONLY DIMENSION 'A' IS CERTIFIED & CONFORMS TO ASME B16.10 / EN 558-2, OTHER DIMENSIONS & WEIGHTS ARE INDICATIVE.
2. RAISED FACE FLANGED ENDS AS PER ASME B 16.5.
3. PAD LOCK ARRANGEMENT OPTIONAL, AND LOCK IS NOT IN SCOPE OF OUR SUPPLY.

DESIGN STD. : BS EN ISO 17292 (BS 5351)
TESTING STD. : EN 12266 -1 (BS 6755 -1)
ALL DIMENSIONS ARE IN mm.

CLASS	150							
SIZE	A	ØD	B	C	P	WT. kgs	QTY.	
15	108	13	120	80	70	2.0		
20	117	20	145	85	76	3.0		
25	127	25	145	90	80	3.5		
32	140	32	175	105	86	4.8		
40	165	38	175	110	92	7.5		



CODE	WCB	CF8	CF8M	410	304	316
MATERIAL	A216	A351	A351	A276	A276	A276
SPECN.	WCB	CF8	CF8M	410	304	316

TEST PRESSURES, bar

CLASS		150
HYD.	SHELL	30
	SEAT	22
AIR	SEAT	6.9

CUSTOMER : _____
ORDER NO. : _____
JOB/PROJECT : _____

MANUFACTURED BY : M/s B.D.K. ENGINEERING INDUSTRIES LIMITED, HUBLI - 580 030 , INDIA

APPROVED :
CHECKED :
DRAWN :

FOR APPROVAL FOR RECORD