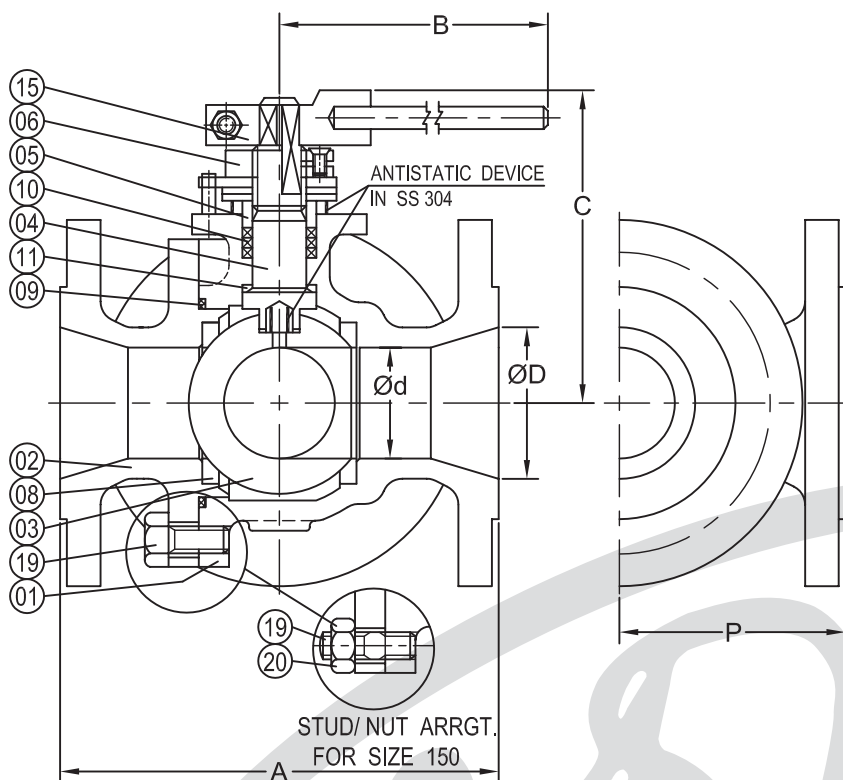




2 - PIECE, REDUCED BORE



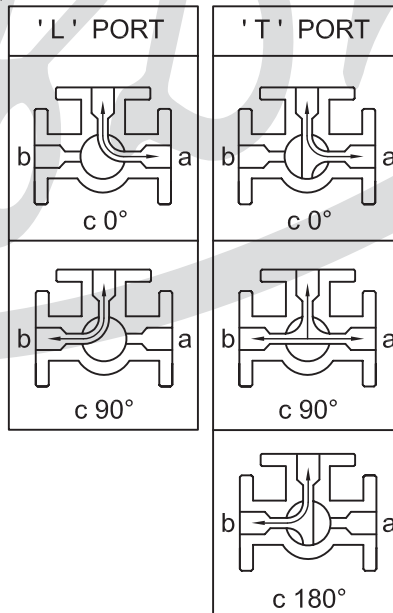
PT. NO.	PART NAME	MATERIAL		
		WCB	CF8	CF8M
01	BODY	WCB	CF8	CF8M
02	END PIECE	WCB	CF8	CF8M
03	BALL	CF8		CF8M
04	STEM	410	304	316
05	GLAND	410	304	316
06	GLAND NUT	CF8		
08	SEAT	PTFE / CFT / GFT		
09	BODY SEAL	GRAFOIL		
10	STEM SEAL	GRAFOIL		
11	STEM WASHER	25% GFT		
15	LEVER ADAPTER	WCB		
19	HEX. SCREW	304		
	STUD	■	ASTM A193 Gr. B8M	
20	NUT	■	ASTM A194 Gr. 8M	

NOTE :

1. ONLY DIMENSION 'A' IS CERTIFIED & CONFORMS TO ASME B16.10 / EN 558-2, OTHER DIMENSIONS & WEIGHTS ARE INDICATIVE.
2. RAISED FACE FLANGED ENDS AS PER ASME B 16.5.
3. ■ ASTM A193 Gr. B7 / ASTM A194 Gr. 2H

DESIGN STD. : BS EN ISO 17292 ( BS 5351 )  
 TESTING STD. : EN 12266 -1 ( BS 6755 -1 )  
 ALL DIMENSIONS ARE IN mm.

CLASS	150			
SIZE	65	80	100	150
A	190	203	229	267
B	300	475	475	575
C	135	150	170	205
ØD	64	76	102	152
Ød	50	58	76	98
P	125	133	157	187
HYD. SEAT PR.	22	22	22	20
WEIGHT- kgs.	17	26	38	48
QTY.				
TAG NO.				



CODE	WCB	CA15	CF8	CF8M	410	304	316
MATERIAL	A216	A217	A351	A351	A276	A276	A276
SPECN.	WCB	CA15	CF8	CF8M	410	304	316

TEST PRESSURES, bar

CLASS		150
HYD.	SHELL	30
	SEAT	REF. DIMN. TABLE
AIR	SEAT	6.9

CUSTOMER : \_\_\_\_\_  
 ORDER NO. : \_\_\_\_\_  
 JOB/PROJECT : \_\_\_\_\_

MANUFACTURED BY : M/s B.D.K. ENGINEERING INDUSTRIES LIMITED, HUBLI - 580 030 , INDIA

APPROVED :

CHECKED :

DRAWN :

FOR APPROVAL  FOR RECORD