



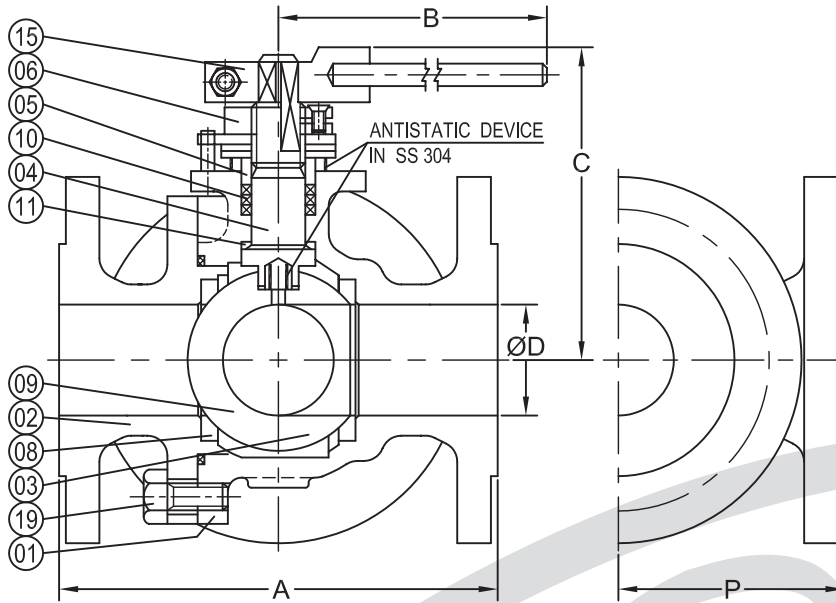
**BALL VALVE - SERIES 'W' - 3 WAY 'L' / 'T' SIDE PORT**

DATE : 12. MAR. 2008

DRG. NO : BV 6102

05  
REV. NO.

**2 - PIECE, FULL BORE**



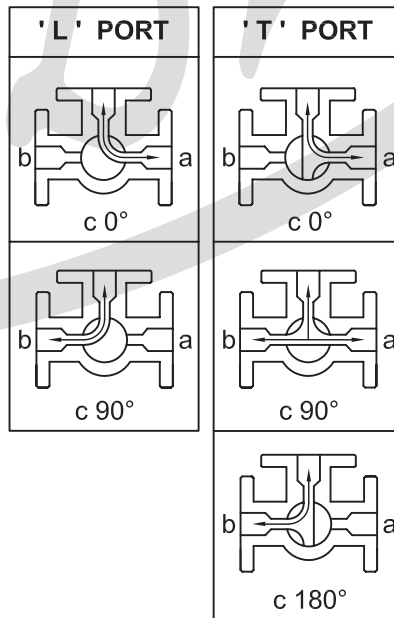
| PT. NO. | PART NAME     | MATERIAL         |     |      |
|---------|---------------|------------------|-----|------|
|         |               | WCB              | CF8 | CF8M |
| 01      | BODY          | WCB              | CF8 | CF8M |
| 02      | END PIECE     | WCB              | CF8 | CF8M |
| 03      | BALL          | CF8              |     | CF8M |
| 04      | STEM          | 410              | 304 | 316  |
| 05      | GLAND         | 410              | 304 | 316  |
| 06      | GLAND NUT     | CF8              |     |      |
| 08      | SEAT          | PTFE / CFT / GFT |     |      |
| 09      | BODY SEAL     | GRAFOIL          |     |      |
| 10      | STEM SEAL     | GRAFOIL          |     |      |
| 11      | STEM WASHER   | 25% GFT          |     |      |
| 15      | LEVER ADAPTER | WCB              |     |      |
| 19      | HEX. SCREW    | 304              |     |      |

**NOTE :**

1. ONLY DIMENSION 'A' IS CERTIFIED & CONFORMS TO ASME B16.10 / EN 558-2, OTHER DIMENSIONS & WEIGHTS ARE INDICATIVE.
2. RAISED FACE FLANGED ENDS AS PER ASME B 16.5.
3. \* LONG PATTERN

DESIGN STD. : BS EN ISO 17292 ( BS 5351 )  
 TESTING STD. : EN 12266 -1 ( BS 6755 -1 )  
 ALL DIMENSIONS ARE IN mm.

| CLASS        | 150 |     |     |      |
|--------------|-----|-----|-----|------|
| SIZE         | 50  | 65  | 80  | 100* |
| A            | 178 | 190 | 203 | 305  |
| B            | 300 | 475 | 475 | 575  |
| C            | 135 | 155 | 170 | 205  |
| ØD           | 50  | 64  | 76  | 98   |
| P            | 107 | 125 | 133 | 157  |
| WEIGHT- kgs. | 14  | 24  | 29  | 50   |
| QTY.         |     |     |     |      |
| TAG NO.      |     |     |     |      |



| CODE     | WCB  | CA15 | CF8  | CF8M | 410  | 304  | 316  |
|----------|------|------|------|------|------|------|------|
| MATERIAL | A216 | A217 | A351 | A351 | A276 | A276 | A276 |
| SPECN.   | WCB  | CA15 | CF8  | CF8M | 410  | 304  | 316  |

| TEST PRESSURES, bar |       |     |
|---------------------|-------|-----|
| CLASS               | 150   |     |
| HYD.                | SHELL | 30  |
|                     | SEAT  | 22  |
| AIR                 | SEAT  | 6.9 |

CUSTOMER : \_\_\_\_\_  
 ORDER NO. : \_\_\_\_\_  
 JOB/PROJECT : \_\_\_\_\_

**MANUFACTURED BY : M/s B.D.K. ENGINEERING INDUSTRIES LIMITED, HUBLI - 580 030 , INDIA**

APPROVED :

CHECKED :

DRAWN :

FOR RECORD

FOR APPROVAL