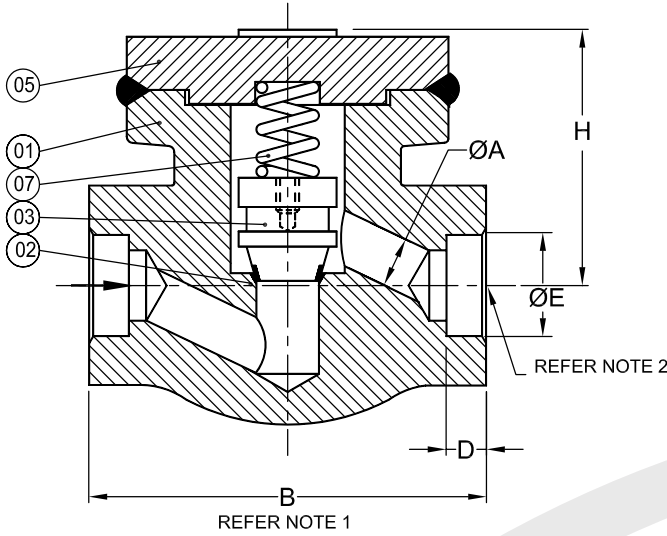
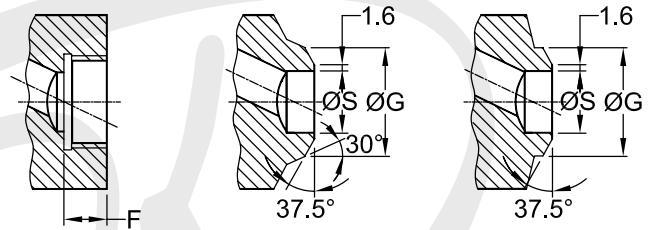


SCREWED & SEAL WELDED COVER



| PT.NO. | PART NAME | MATERIAL |
|--------|-----------------------|-----------------------|
| 01 | BODY | A 105 / F 304 / F 316 |
| 02 | SEAT RING - STELLITED | INTEGRAL |
| 03 | DISC - STELLITED | 410 / 304 / 316 |
| 05 | COVER | A 105 / F 304 / F 316 |
| 07 | SPRING | SS 316 |



DESIGN STD.: ASME B16.34(ANSI),
TESTING STD.: API 598 / BS EN 12266-1:2003.
ALL DIMENSIONS ARE IN MM.

| CLASS SIZE | 2500 | | |
|-----------------|--------|------|------|
| | 15 | 20 | 25 |
| ØA | 11 | 14 | 19 |
| B ±5 | 106 | 128 | 140 |
| D ±0.3 | 9.7 | 12.7 | 12.7 |
| ØE | 21.8 | 27.2 | 33.9 |
| F | 13.5 | 14.5 | 17.3 |
| ØG | 23 | 28 | 35 |
| H ±5 (APPROX) | 72 | 102 | 112 |
| ØS | SCH 40 | 15.8 | 20.9 |
| | SCH 80 | 13.9 | 18.9 |
| Approx. Wt.-kg. | 2.95 | 6.75 | 9.6 |
| QTY. | | | |
| TAG. No. | | | |

NOTE :

- DIMN. 'B' AS PER MANUFACTURER'S STANDARD.
- SOCKET WELD ENDS TO ASME - B16.11.
- SCREWED ENDS TO BSP / BSPT - BS 21 / IS 554, NPT - ANSI-B1.20.1.
- BUTT WELD ENDS TO ANSI-B16.25, FIG 2 TYPE 'A'
- BUTT WELD ENDS TO ANSI-B16.25, FIG 4
- TEST PRESSURES FOR IBR, VALVES SHALL BE AS PER IBR, REQUIREMENTS.

| | | | | | | | | | | |
|------------|-------|----------------|----------------|----------------|---------------|----------------|--------------|--------------|--------------|---------------|
| CODE | A 105 | F 304 | F 316 | CA 15 | CF 8 | CF 8M | 410 | 304 | 316 | F 22 |
| MATL SPECN | A 105 | A 182 F 304 | A 182 F 316 | A 217 CA 15 | A 351 CF 8 | A 351 CF 8M | A 276 410 | A 276 304 | A 276 316 | A 182 F 22 |

CUSTOMER: _____
ORDER NO.: _____
JOB/PROJECT: _____

| TEST PRESSURE, bar | | |
|--------------------|-------|-----|
| HYD | SHELL | 647 |
| | SEAT | 475 |

APPROVED :

CHECKED :

DRAWN :

FOR RECORD

FOR APPROVAL