

B.D.K. ENGINEERING INDUSTRIES LIMITED.

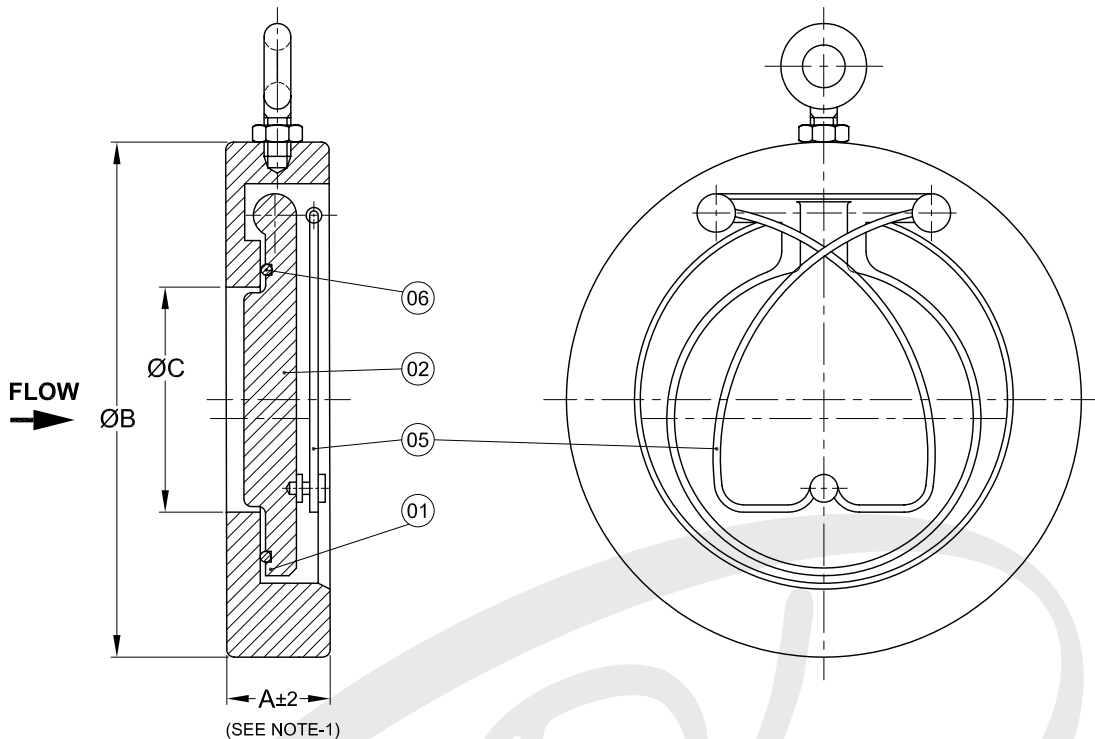


WAFER CHECK VALVE (SPRING LOADED)

DATE : 03 JAN 2005

DRG. NO. : WS0002

02
REV NO.



NOTES :

- 1) DIMENSION 'A' AS PER API 6D, CL 300 (SHORT PATTERN) EXCEPT SIZE 125 ; OTHERS ONLY INDICATIVE.
- 2) * WEIGHTS ARE APPROX. AND SHALL VARY DEPENDING ON FLANGE STANDARD AND MATERIAL SPECIFICATION.
- 3) SGI & WCB BODY & DISC ARE DULY COATED WITH STOVING ENAMEL.
- 4) ALL DIMENSIONS ARE IN mm.

PT.NO.	PART NAME	MATERIAL			
01	BODY	SGI	WCB	CF8	CF8M
02	DISC	WCB	CF8	CF8M	
05	SPRING	304	316		
06	'O' RING (DISC)	NITRILE / EPDM			

DESIGN STD : API 6D / TESTING STD : API 6D / API 598

SIZE	A ⁽¹⁾	ØB									ØC	* WT. kg. (Approx)	QTY	TAG NO.
		ASME B16.5		BS EN:1092				BS:10						
		CL150	CL300	PN6	PN10	PN16	PN25	PN40	T - D	T - E				
50	19	104.5	111	98	109	109	109	109	98.5	98.5	30	1.5		
65	19	124	130.5	118	129	129	129	129	111	111	38	2		
80	19	136.5	149	134	144	144	144	144	130	130	52	2.5		
100	19	174.5	179	154	164	164	170	170	162	162	72	3		
125	22	197	216	184	194	194	196	196	193.5	193.5	90	4		

CODE	SGI	WCB	CF8	CF8M	316	304
MATERIAL SPECN	IS:1865 5007	A216 WCB	A351 CF8	A351 CF8M	A276 316	A276 304

TEST PRESSURES, bar								
RATING	150	300	PN6	PN10	PN16	PN25	PN40	
HYD.	SHELL	30	77	9	15	24	37.5	60
	SEAT	22	57	6.6	11	17.6	27.5	44

CUSTOMER _____
 ORDER NO. _____
 JOB/PROJECT _____

MANUFACTURED BY : M/s B.D.K. ENGINEERING INDUSTRIES LIMITED, HUBLI - 580 030 , INDIA

APPROVED :
CHECKED :
DRAWN :

FOR APPROVAL FOR RECORD