

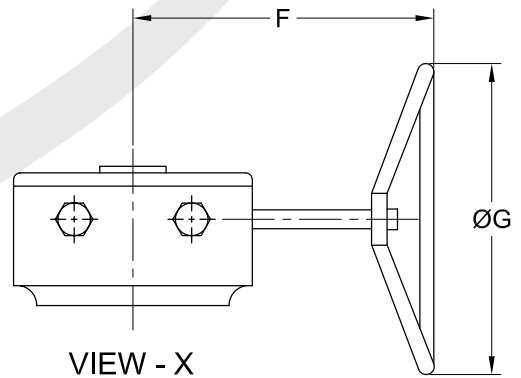
PT. NO.	PART NAME	MATERIAL
01	BODY	SHELL : DUCTILE IRON
		LINING : PFA / FEP
02	END PIECE	SHELL : DUCTILE IRON
		LINING : PFA / FEP
03	BALL / STEM	CB7Cu -1 (17-4PH)
		LINING : PFA / FEP
04	SEAT RING	VIRGIN PTFE
05	TAPER RING	VIRGIN PTFE
06	'V' RING	VIRGIN PTFE
07	THRUST RING	SS 304
08	GLAND FOLLOWER	SS 304
09	FASTENERS	SS 304
15	ADAPTER	STEEL
19	BRACKET	STEEL
20	GEAR ACTUATOR	CI HOUSING

**NOTE :**

- ONLY DIMENSION 'A' IS CERTIFIED & CONFORMS TO ASME B16.10 / EN 558-2, OTHER DIMENSIONS & WEIGHTS ARE ONLY INDICATIVE.
- FLANGE DRILLING AS PER :
- LINING THICKNESS 5 mm.

DESIGN STD. : BS 5159 / BS 5351  
 TESTING STD. : EN 12266-1  
 ALL DIMENSIONS ARE IN mm.

SIZE	150	200
A	267	292
B	528	595
C	380	380
ØD	146	195
E	85	85
F	230	230
ØG	450	450
ACTR. MODEL	PAC 02	PAC 02
WEIGHT - kgs	95	105
QTY.		
TAG NO.		



DOVETAIL GROOVE FOR BETTER GRIP OF LINING

'V' GROOVE FOR ZERO LEAKAGE

**DETAIL - 'E'**

CODE	DUCTILE IRON	304	CB7Cu -1 (17-4PH)
MATERIAL SPECN.	ASTM A 395	A276 304	A747 CB7Cu -1 (17-4PH)

**INSPECTION**

TEST	HYD.	SHELL	15 bar
		SEAT	11 bar
AIR	SEAT	6 bar	
	SPARK	100 % SPARK TESTING AT 10 KVA FOR ALL LINED PARTS IN CONTACT WITH FLUID	

CUSTOMER : \_\_\_\_\_  
 ORDER NO. : \_\_\_\_\_  
 JOB/PROJECT : \_\_\_\_\_

MANUFACTURED BY : M/s B.D.K.ENGINEERING INDUSTRIES LIMITED, HUBLI - 580 030 , INDIA

APPROVED :

CHECKED :

DRAWN :

FOR RECORD

FOR APPROVAL