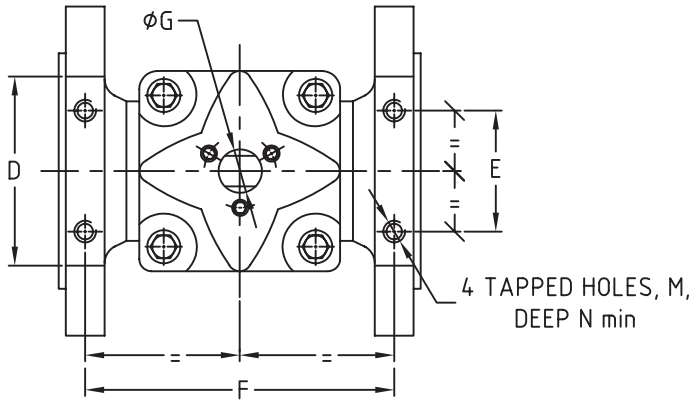
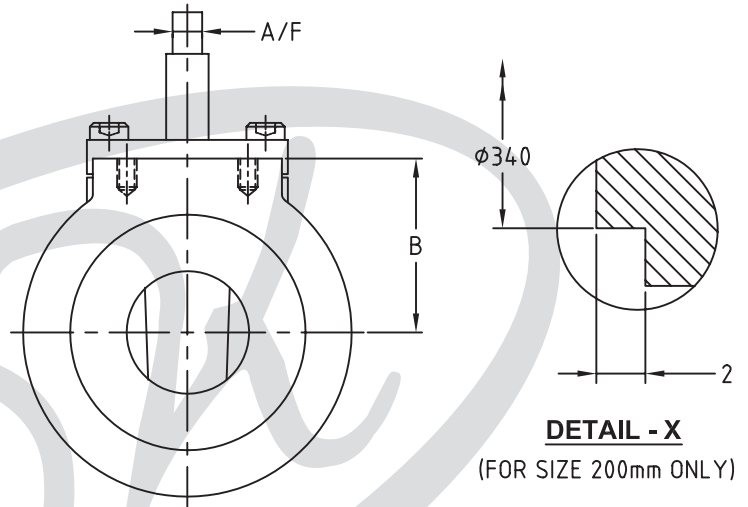
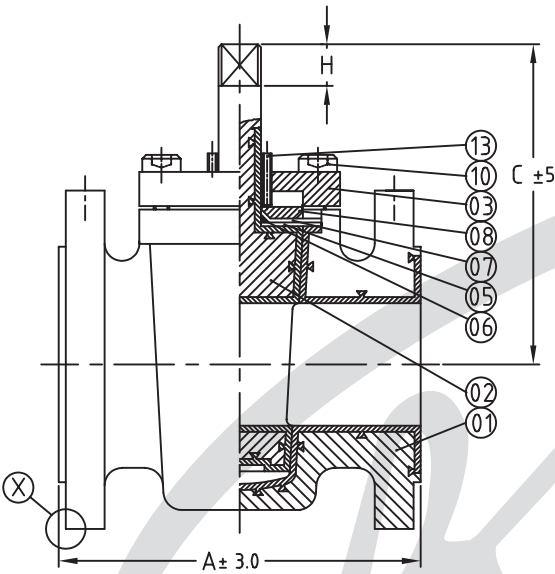


**BARE VALVE WITH MOUNTING DETAILS ON PARTY SIDE FLANGE**



PT.NO.	PART NAME	MATERIAL
01	BODY	D.I. WITH PFA/FEP LINING
02	PLUG	CB7Cu-1 (17-4PH) WITH PFA/FEP LINING
03	COVER	D.I.
05	PTFE DIAPHRAGM	VERGIN PTFE
06	WEDGE RING	GLASS FILLED PTFE
07	METAL DIAPHRAGM	SS 304*
08	THRUST COLLAR	SS 304
10	HEX.SOC.HEAD. CAP SCREW	SS 304
13	ADJ. SCREW	SS 304



SIZE	15	20	25	40	50	65	80	100	150 <sup>+</sup>	200 <sup>+</sup>
A	108	117	127	165	178	190	203	229	267	292
B	49	54	59	68	83	94	101	117	143	172
C	68.8	74	81	102	87.5	96.5	110	152.5	195	207
D	64	64	64	68	76	100	100	140	170	170
E	44	44	44	50	56	70	70	112	140	120
F	95	104	113.5	148	160	170	182	204	238	254
ØG	16	16	16	22	22	22	32	32	40	40
H	8	8.5	8.5	12	11	11	13	13	16	19
A/F	11	11	11	14.8	14.8	14.8	19	19	25	32
M	M6	M6	M6	M6	M8	M8	M10	M12	M12	M12
N	10	10	10	10	12	12	15	18	18	18
MIN LINING THK	3.0	3.0	3.2	3.2	3.5	3.5	3.5	4.0	4.0	5.0
WEIGHT kgs	1.7	2.2	3.5	6.5	8	14	16	28	46	72
QTY										

DESIGN STD : BS 5353, BS 5158 & API - 599,  
TESTING STD : EN 12266 - 1 & API - 598  
ALL DIMENSIONS ARE IN mm.

**NOTE :**

- 1) DIMENSION 'A' IS AS PER ASME B16.10 (ONLY DN 25, AS PER MFR. STD) OTHER DIMENSIONS ARE ONLY INDICATIVE.
- 2) FLANGE END RAISED FACE, SMOOTH FINISH. DRILLED TO ASME B 16.5 - CLASS 150.
- 3) WEIGHT INDICATED IS APPROXIMATE.

TAG NO					
CODE	CB7Cu-1	D I	304	PTFE	PFA / FEP
MATERIAL SPECN	A 747 CB7Cu-1	A 395 D.I.	A276 / A 240* 304	D-1457	D-3307/D2116

CUSTOMER : \_\_\_\_\_  
ORDER NO. : \_\_\_\_\_  
JOB/PROJECT : \_\_\_\_\_

		TEST PRESSURE bar		
		CL. 150	PN 10 <sup>+</sup>	
TEST	HYD.	SHELL	26	15
		SEAT	16	11
	AIR	SEAT	6	5
	SPARK	100 % SPARK TESTING AT 10 KV FOR ALL LINED PARTS IN CONTACT WITH FLUID		

APPROVED :

CHECKED :

DRAWN :

FOR APPROVAL  FOR RECORD