

INSTALLATION MANUAL FOR WAFER CHECK VALVE

REF.NO.	GTTS0067	01	REV.NO.
DATE	05 OCT 2000		
SHEET	01	OF	02



A) GENERAL

- 1) UPON DELIVERY, INSPECT THE VALVE FOR ANY SHIPPING DAMAGE.
- 2) AS PER THE PACKING SLIP PLACED INSIDE THE BOX, VERIFY THE GOOD RECEIVED. ITEMS PACKED LOOSE WITHIN THE BOX ARE SEPARATELY IDENTIFIED IN THE PACKING SLIP. CHECK FOR SHORT SUPPLY IF ANY.

B) STORAGE

- 1) STORE ALL VALVES DULY COVERED BY PLASTIC BAGS UNTIL INSTALLATION.
- 2) CAUTION : AVOID POSSIBLE ENTRY OF ANY FOREIGN PARTICLES, SUCH AS WATER, DIRT, MUD, SAND ETC. INTO THE VALVE IN ORDER TO PROTECT THE SEALING FACES OF THE VALVE.

C) INSTALLATION

- 1) VALVE CONFORMING TO THE CUSTOMER'S SPECIFICATION IN ALL RESPECTS IS DULY TESTED PRIOR TO DESPATCH. HOWEVER ENSURE ONCE AGAIN THAT SPECIFICATIONS MENTIONED OVER THE NAME PLATE ARE INLINE WITH YOUR REQUIREMENTS WITH REGARD TO SIZE, MATERIAL OF CONSTRUCTION, WORKING PRESSURE ETC.
- 2) CAUTION: BLOW-OUT OR FLUSH THE PIPELINES THOROUGHLY BEFORE VALVE INSTALLATION, IF NOT THE HARD PARTICLES LEFT WITHIN THE PIPELINE CAN EASILY RUIN THE SEALING FACES.
- 3) MATING FLANGE FACES SHOULD BE CLEAN FOR PROPER SEALING AT THE JOINT.
- 4) VALVE SHOULD BE MOUNTED WITH FLOW TENDING TO OPEN THE DISC. BODY EXTERIOR HAS AN ARROW HEAD TO INDICATE DIRECTION OF FLOW. IT CAN BE INSTALLED BOTH IN HORIZONTAL AND VERTICAL PIPE-LINES. IF VERTICAL, FLOW HAS TO BE IN UPWARD DIRECTION ONLY. HOWEVER PREFERRED MOUNTING IS IN HORIZONTAL PIPE-LINE.

D) DISASSEMBLY : (FOR 350 NB AND ABOVE VALVES ONLY AFTER REMOVAL FROM THE PIPE-LINE)

- REMOVE TAC WELD BETWEEN BODY AND HINGE PIN.
- UNSCREW THE HEAD SOCKET SCREW AND REMOVE.
- REMOVE THE HINGE PINS.
- REMOVE DISC.
- FOR 50 NB TO 300 NB VALVES, REMOVE SPRING FROM THE BODY BUTTONS WHICH IS PRESS FITTED INTO THE BODY.
- REMOVE DISC 'O' RING.

E) SERVICING

- CLEAN ALL THE PARTS INCLUDING THE BODY SEAT FACES AND DISC DOWTAIL GROOVES.
- REPLACE DISC 'O' RING AND BODY 'O' RINGS FOR 350 NB AND ABOVE VALVES.
- REPLACE DISC 'O' RING AND SPRING FOR 50 NB TO 300 NB VALVES.

F) ASSEMBLY: (FOR 350 NB AND ABOVE VALVES)

- SAME AS REVERSE SEQUENCE OF DISASSEMBLY.
- FOR 50 NB TO 300 NB VALVES SPRING AND DISC 'O' RING CAN BE REPLACED WITHOUT REMOVING DISC.

PREPARED BY :

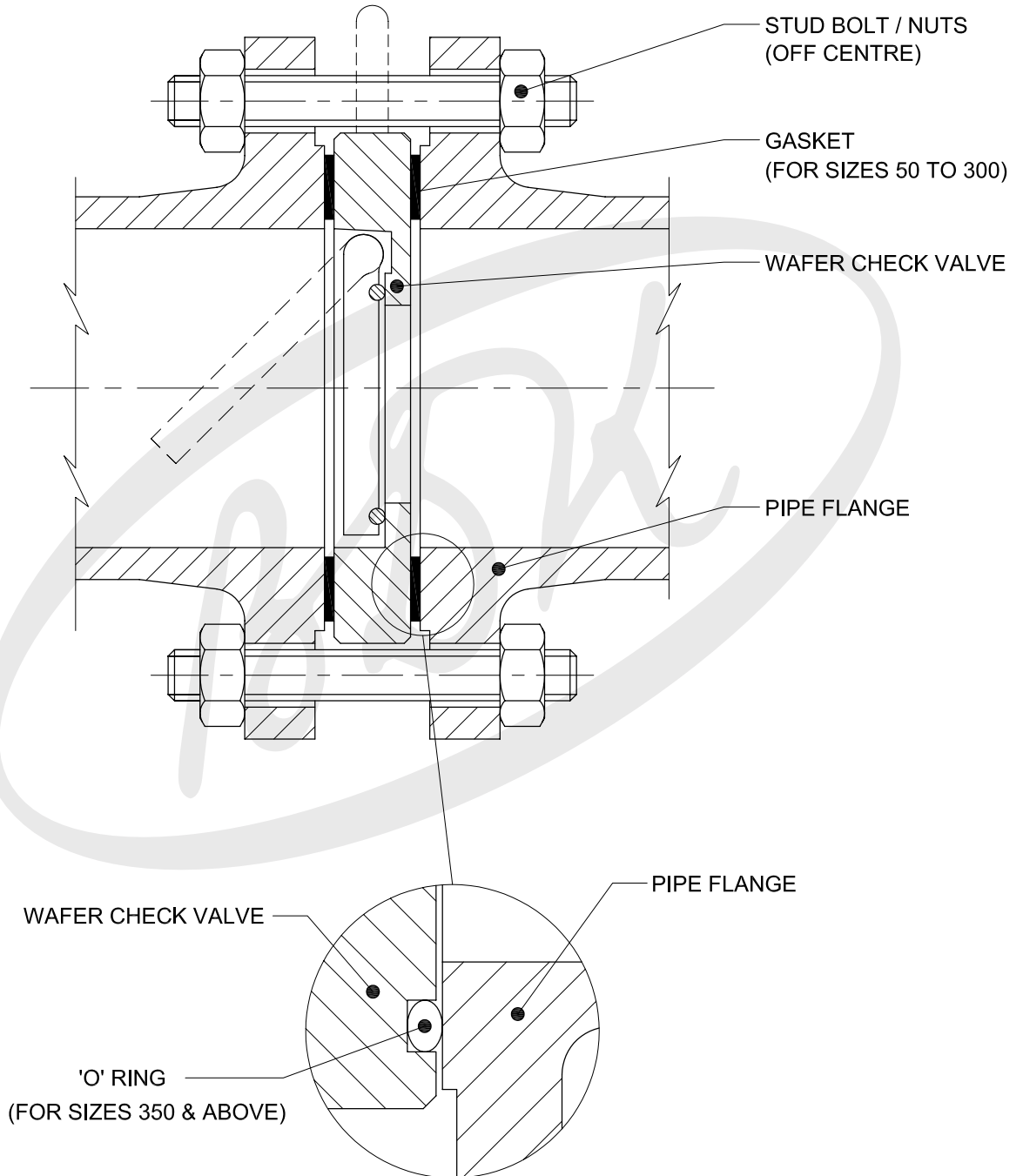
APPROVED BY :

INSTALLATION MANUAL FOR WAFER CHECK VALVE

REF.NO.	GTTS0067	01 REV.NO.	
DATE	05 OCT 2000		
SHEET	02	OF	02



G) VALVES ARE OF WAFER DESIGN AND SHALL BE SANDWICHED BETWEEN TWO PIPE-LINE FLANGES AS SHOWN IN THE FIGURE.
AS SHOWN IN THE FIGURE.



PREPARED BY :

APPROVED BY :